

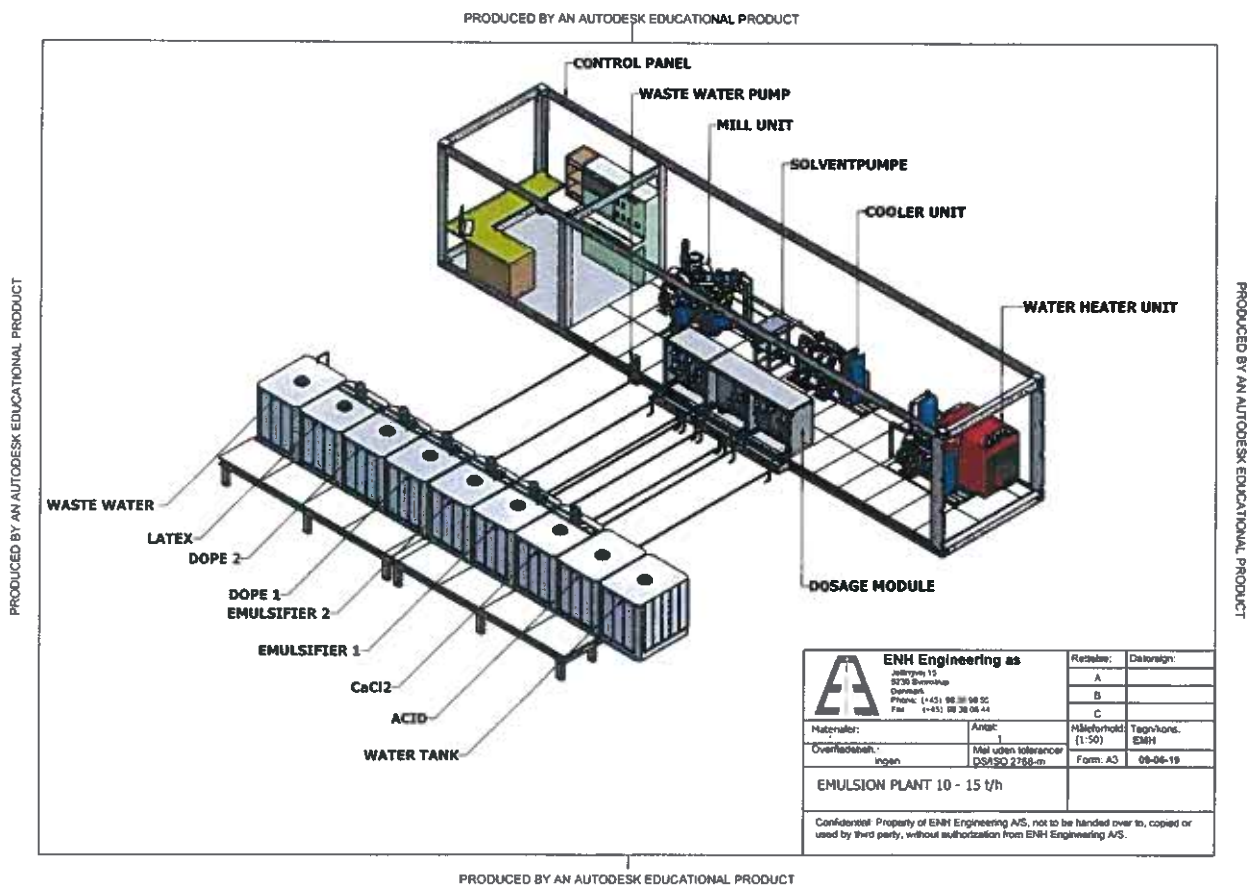
# IN-LINE BITUMEN EMULSION PLANT

Built into a 40 ft. container

**Production capacity 10-12 tons/hour**  
**Fully automatic production control**

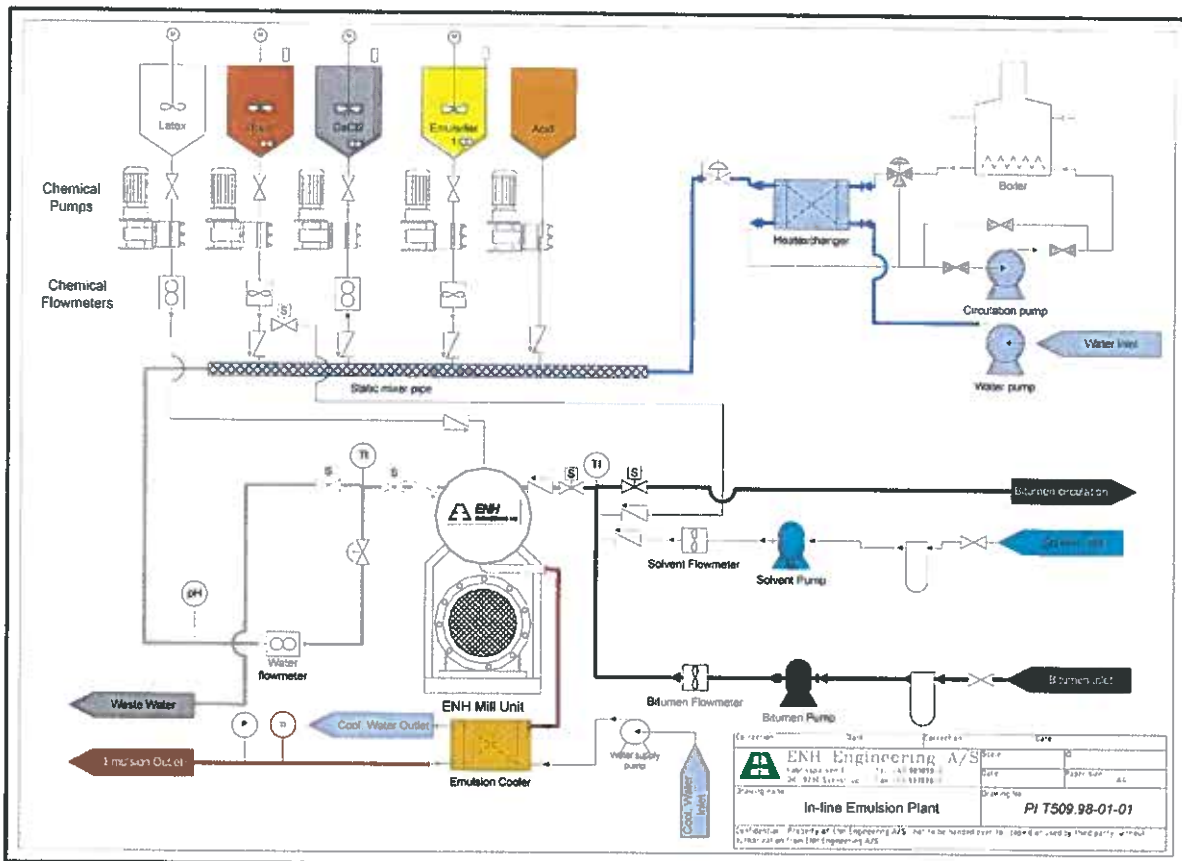
The ENH Engineering A/S bitumen emulsion plant is designed to meet with the high demands for modern emulsion technology. The in-line system of this plant offers the possibility to produce all known bitumen emulsion types varying from the simplest tack-coat to the high-tech slurry emulsions.

The in-line system provides great flexibility in the production phase. The different flows for bitumen water and chemicals are controlled individually and can be changed during production without any influence on each other. A great advantage of the in-line system is that there is no need to premix any chemicals or water solutions, all is added continuously during the production which means that the production can continue practically as long as required without any stop.



## Technical description

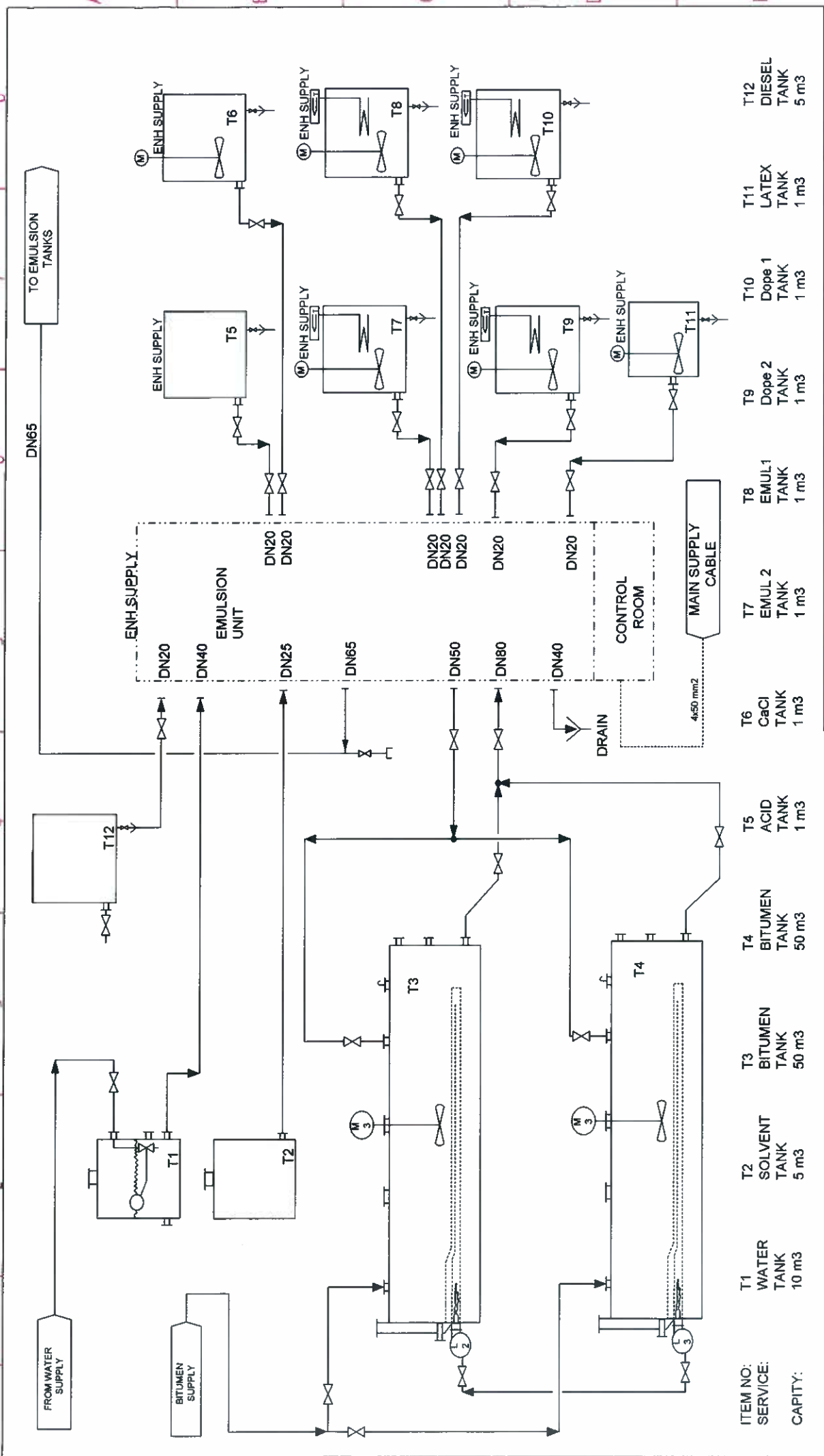
- Mill unit
- Bitumen system
- Solvent system
- Water system
- Water Heating System
- Chemical Unit
- Chemical tank battery
- Process control system (PCS)
- Latex dosage unit
- Emulsion cooling system



For further information please do not hesitate to contact us.

ENH Engineering A/S  
 Jellingvej 15  
 DK-9230 Svenstrup  
 Denmark

Tel: +45-98389855  
 Fax: +45-98380644  
 E-mail: enh@enh.dk



ITEM NO:	T1	T2	T3	T4	T5	T6	T7	T8	T9	T10	T11	T12
SERVICE:	WATER TANK	SOLVENT TANK	BITUMEN TANK	BITUMEN TANK	ACID TANK	CaCl TANK	EMUL 2 TANK	EMUL 1 TANK	Dope 2 TANK	Dope 1 TANK	LATEX TANK	DIESEL TANK
CAPACITY:	10 m3	5 m3	50 m3	50 m3	1 m3	1 m3	1 m3	1 m3	1 m3	1 m3	1 m3	5 m3

**Legend:**

	Control valve		Suckliner		Magnetic flowmeter
	Pneumatic valve		3 way valve		Vane flowmeter
	Check valve		Safety valve		TI traced and insulated pipe
	Gate valve		Ball valve		
	Hose drum				

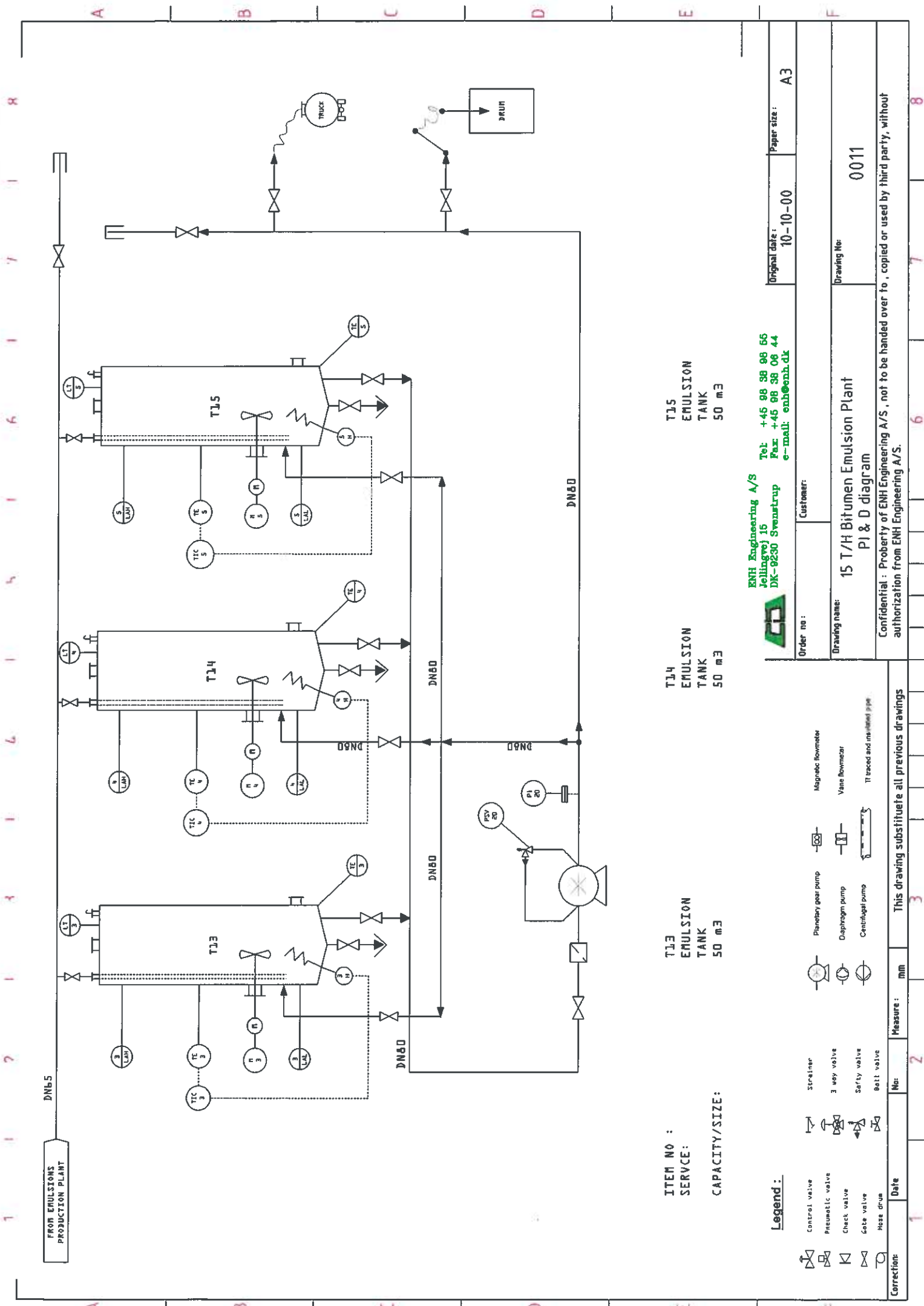
**Scale:** 10-10-00  
**Original date:** 10-10-00  
**Customer:** ENH Engineering A/S  
 Jellingvej 16  
 DK-8250 Svenstrup  
 e-mail: enh@enh.dk  
 Tel: +45 98 38 88 55  
 Fax: +45 98 38 06 44

**Order no:** \_\_\_\_\_  
**Drawing name:** 15 T/H Bitumen Emulsion Plant  
 PI & D diagram  
**Drawing No:** 0010  
**ID:** SJP  
**Paper size:** A3

**Correction:** \_\_\_\_\_  
**Date:** \_\_\_\_\_

**This drawing substitute all previous drawings**

Confidential : Property of ENH Engineering A/S, not to be handed over to , copied or used by third party, without authorization from ENH Engineering A/S.



FRON EMULSIONS  
PRODUCTION PLANT

DN65

T15

T14

T13

T15  
EMULSION  
TANK  
50 m3

T14  
EMULSION  
TANK  
50 m3

T13  
EMULSION  
TANK  
50 m3

ITEM NO :  
SERVICE :  
CAPACITY/SIZE :

**Legend :**

- |  |                 |  |              |  |                     |  |                              |
|--|-----------------|--|--------------|--|---------------------|--|------------------------------|
|  | Control valve   |  | Strainer     |  | Planetary gear pump |  | Magnetic flowmeter           |
|  | Pneumatic valve |  | 3 way valve  |  | Diaphragm pump      |  | Vane flowmeter               |
|  | Check valve     |  | Safety valve |  | Centrifugal pump    |  | TI traced and insulated pipe |
|  | Gate valve      |  | Ball valve   |  |                     |  |                              |
|  | Hose drum       |  |              |  |                     |  |                              |

**ENH Engineering A/S**  
Jellingvej 16  
DK-9230 Sveustrup  
Tel: +45 98 98 98 56  
Fax: +45 98 98 06 44  
e-mail: enh@enh.dk

Customer:

15 T/H Bitumen Emulsion Plant  
PI & D diagram

Original date :  
10-10-00

Paper size :  
A3

Drawing No:  
0011

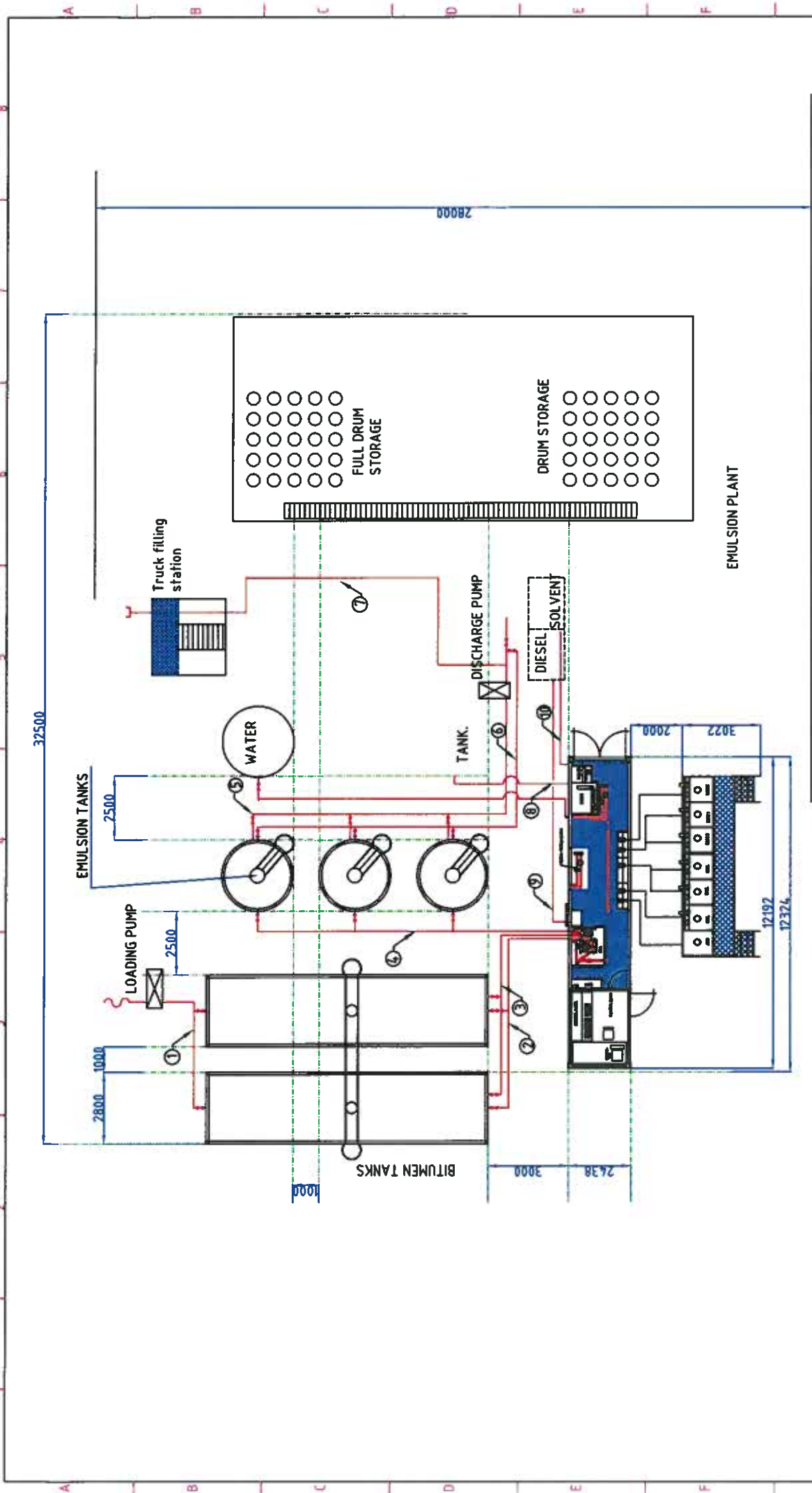
Confidential : Property of ENH Engineering A/S , not to be handed over to , copied or used by third party, without authorization from ENH Engineering A/S.

Correction: \_\_\_\_\_ Date \_\_\_\_\_  
No: \_\_\_\_\_ Measure: mm \_\_\_\_\_  
This drawing substitute all previous drawings

1 2 3 4 5 6 7 8

A B C D E F

1 2 3 4 5 6 7 8



Emulsion plant mounted in 40' - container as per ENH quotation no. xxxx

Bitumen storage tanks - type: 50,000 kg.

Emulsion storage tanks - type: 50,000 kg

Water tank 10 m<sup>3</sup>

Bitumen pipes with 50 mm insulation and Electrical traced

All dimension in mm

Pos. no	Connection	S.P.	Drawn	Rev	Iss	Hours	mm	Dimension	Number	Remark's
1	Diesel tank	5 m <sup>3</sup>	ENH Engineering A/S	31-09-01	1	2	36.03.98	DN80 mm	1	This drawing substitute all previous drawings
2	Bitumen inlet	DN80mm	ENH Engineering A/S	31-09-01	1	2	36.03.98	DN80mm	1	Scale: 1:10
3	Bitumen retur	DN50 mm	ENH Engineering A/S	31-09-01	1	2	36.03.98	DN50 mm	1	Original date: 31-09-01
4	Emulsion outlet	DN80 mm	ENH Engineering A/S	31-09-01	1	2	36.03.98	DN80 mm	1	Scale: 1:10
5	Emulsion discharge	DN80 mm	ENH Engineering A/S	31-09-01	1	2	36.03.98	DN80 mm	1	Original date: 31-09-01
6	Emulsion return	DN80 mm	ENH Engineering A/S	31-09-01	1	2	36.03.98	DN80 mm	1	Scale: 1:10
7	Truck filling	DN80 mm	ENH Engineering A/S	31-09-01	1	2	36.03.98	DN80 mm	1	Original date: 31-09-01
8	Water inlet	DN50 mm	ENH Engineering A/S	31-09-01	1	2	36.03.98	DN50 mm	1	Scale: 1:10
9	Solvent inlet	DN25mm	ENH Engineering A/S	31-09-01	1	2	36.03.98	DN25mm	1	Original date: 31-09-01
10	Diesel inlet	DN16mm	ENH Engineering A/S	31-09-01	1	2	36.03.98	DN16mm	1	Scale: 1:10

Customer: Emulsion plant, Container 10-15 T/H - Site layout

Drawing No: 0001-2

Confidential: Property of ENH Engineering A/S, not to be handed over to, copied or used by third party, without authorization from ENH Engineering A/S.